



# CRANE MODEL 10628

280 W. 3<sup>rd</sup> St., Box 169 • Garner, IA 50438 • Phone: 641-923-3741 • Fax: 641-923-2812

UPDATED 8/23/02

# **TABLE OF CONTENTS**

## **STELLAR CRANE 10628**

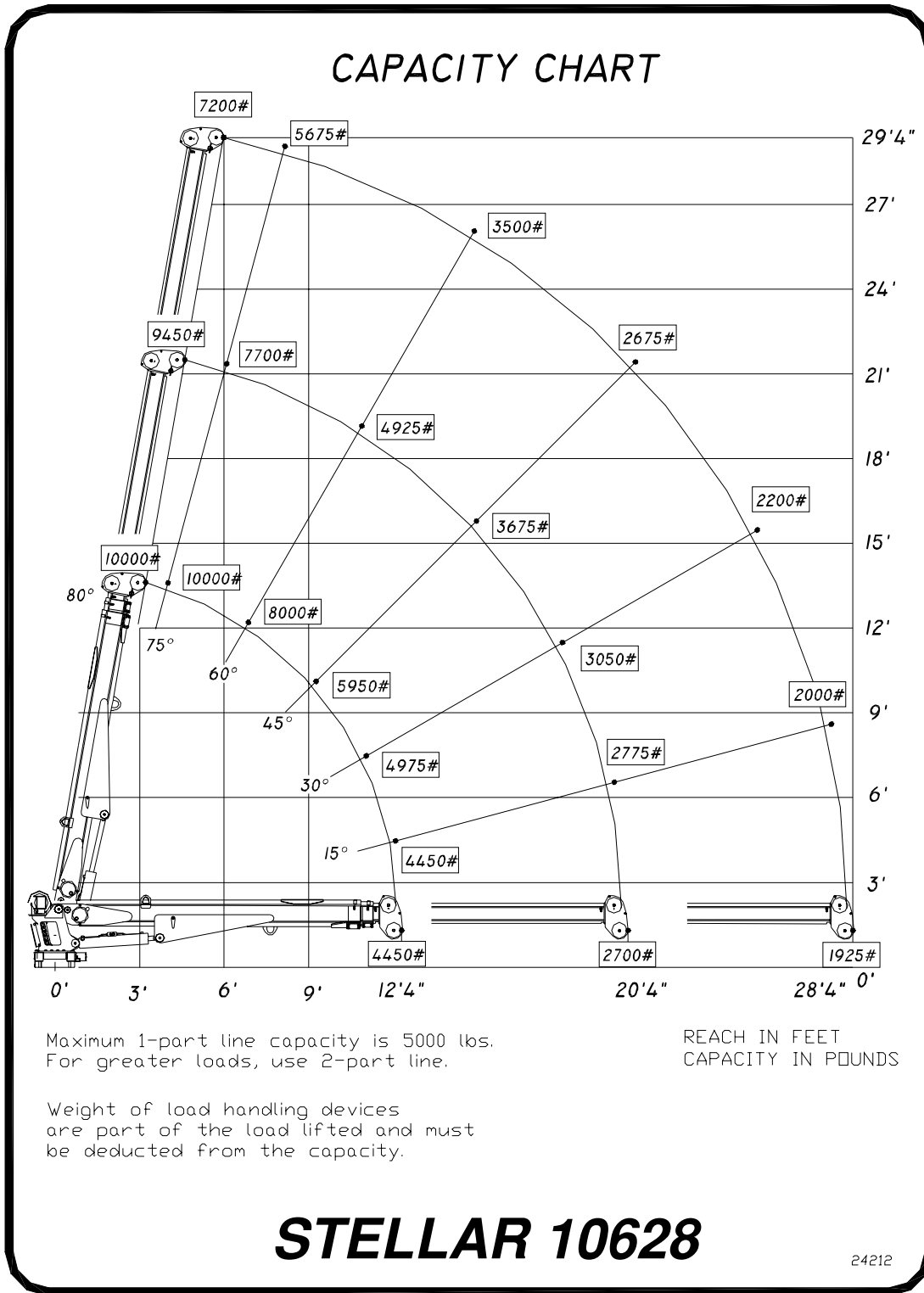
<b>PAGE</b>	<b>DESCRIPTION</b>
3.)	SPECIFICATION SHEET
4.)	CAPACITY CHART
5.)	CRANE OPERATION – 4 FUNCTION
6.)	CRANE OPERATION – 7 FUNCTION
7.)	MANUAL OPERATION
8.)	BASE ASSEMBLY
9.)	MAST ASSEMBLY
10.)	MAIN BOOM ASSEMBLY
11.)	CYLINDER ASSEMBLY
12.)	EXTENSION BOOM ASSEMBLY
13.)	CABLE AND HOOK ASSEMBLY
14.)	CONTROL KIT – 4 FUNCTION
15.)	CONTROL KIT – 7 FUNCTION
16.)	HYDRAULIC KIT
17.)	INSTALLATION KIT
18.)	DECAL KIT
19.)	STABILITY PROCEDURE
20.)	STABILITY CHART
21.)	LIMITED WARRANTY STATEMENT

# Model 10628 Crane

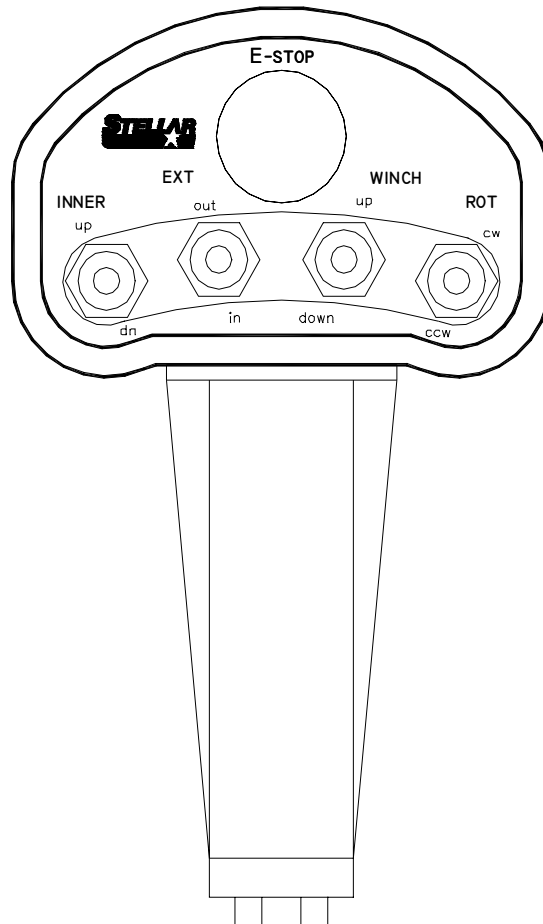
## SPECIFICATION SHEET

Crane Rating	55,000 ft-lbs
Standard Boom Length	12'4" from CL of Crane
Boom Extension	1 <sup>st</sup> stage: Hydraulic 96" 2 <sup>nd</sup> stage: Hydraulic 96"
Maximum Horizontal Reach	28'4" from CL of Crane
Maximum Vertical Lift (from crane base)	29' 4"
Boom Elevation	-5 to +80 degree
Winch Specification	
Rope Diameter	7/16"
Line pull speed	60 ft/min
Max. single part line	5000 lbs
Max. double part line	10000 lbs
Rotation	400 degree power (worm gear)
Lifting Capacities	4450 lbs @ 12'4" 2700 lbs @ 20'4" 1925 lbs @ 28'4"
Power Supply Required	PTO & Pump (8 gpm @ 3000 psi)
Controls	Radio control standard for all functions.
Stowed Height (crane only)	34 inches
Mounting Space Required	20 x 21 inches
Approximate Shipping Weight	2900 lbs

# CAPACITY CHART



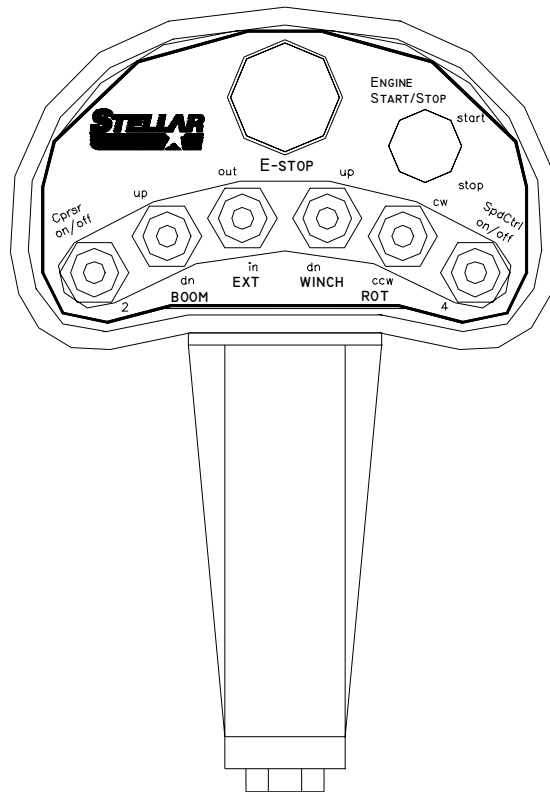
## CRANE OPERATION – 4 Function Remote



THIS CRANE IS OPERATED BY A RADIO CONTROL SYSTEM WHICH OPERATES AN ELECTRONIC VALVE BANK. THE CONTROLLER (AS SHOWN) OPERATES THE FOLLOWING FUNCTIONS:

- MAIN BOOM UP & DOWN
- EXTENSION BOOM IN & OUT
- WINCH UP & DOWN
- ROTATION CW & CCW

## CRANE OPERATION – 7 Function Remote



THIS CRANE IS OPERATED BY A RADIO CONTROL SYSTEM WHICH OPERATES AN ELECTRONIC VALVE BANK. THE CONTROLLER (AS SHOWN) OPERATES THE FOLLOWING FUNCTIONS:

- MAIN BOOM UP & DOWN
- EXTENSION BOOM IN & OUT
- WINCH UP & DOWN
- ROTATION CW & CCW

THIS CONTROLLER CAN ALSO BE UTILIZED TO OPERATE THE FOLLOWING OPTIONAL FUNCTIONS:

- ENGINE START & STOP
- SPEED CONTROL ON & OFF
- COMPRESSOR ON & OFF

TWO OPTIONAL FUNCTIONS ARE ALSO AVAILABLE FOR OTHER CUSTOMER NEEDS. OPTION TWO AND OPTION FOUR ARE BOTH MOMENTARY 12 VOLT FUNCTIONS AND WILL REQUIRE A LATCHING RELAY FOR MOST INSTALLATIONS.

# MANUAL OPERATION

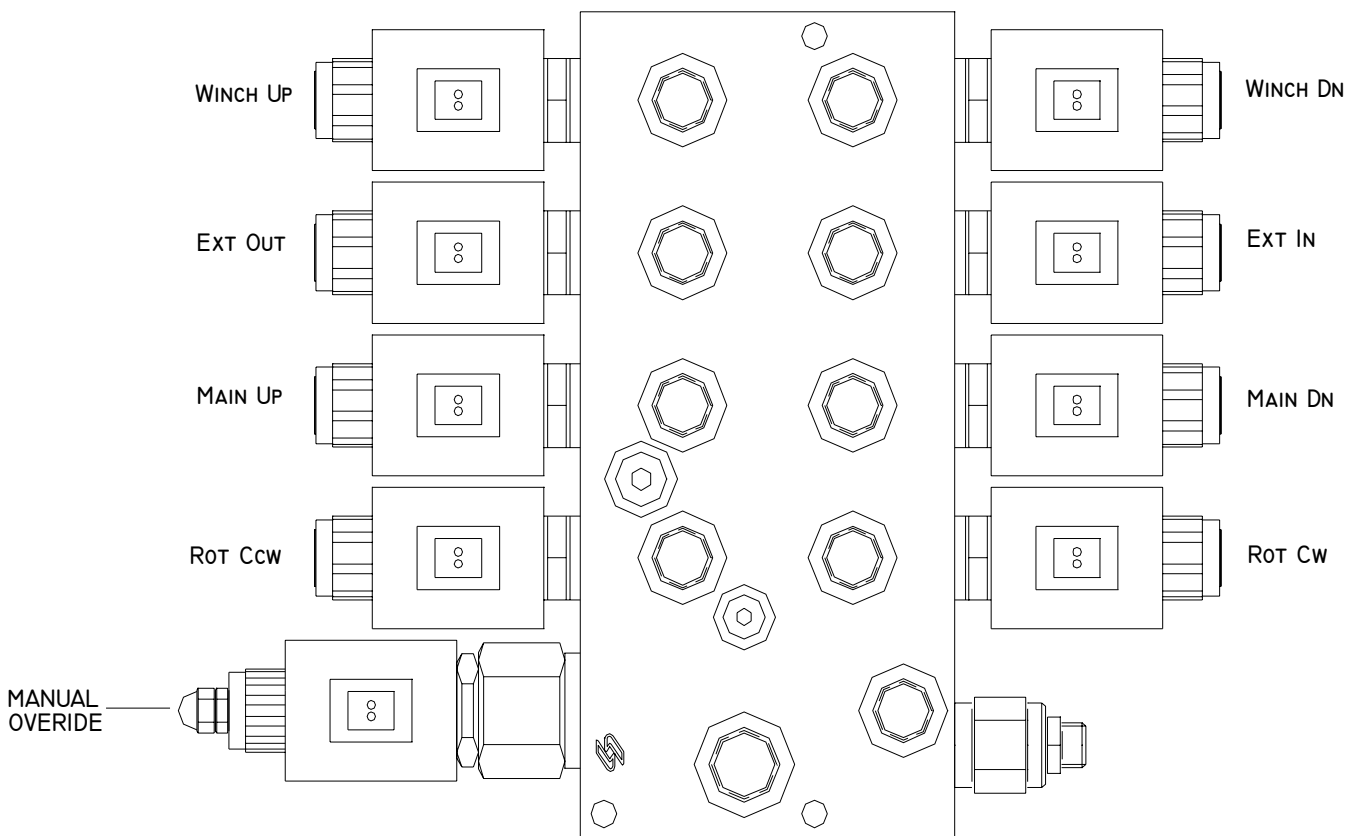
IN CASE OF RADIO FAILURE THE CRANE CAN BE OPERATED USING MANUAL OVERRIDES LOCATED ON THE VALVE BANK. USE THE MANUAL OVERRIDES ONLY TO GET THE CRANE INTO A STOWED POSITION FOR TRAVEL. HAVE THE EQUIPMENT SERVICED FOR NORMAL RADIO USE.

## WARNING

PROLONGED MANUAL OPERATION WILL CAUSE SEVERE DAMAGE TO THE HYDRAULIC SYSTEM.

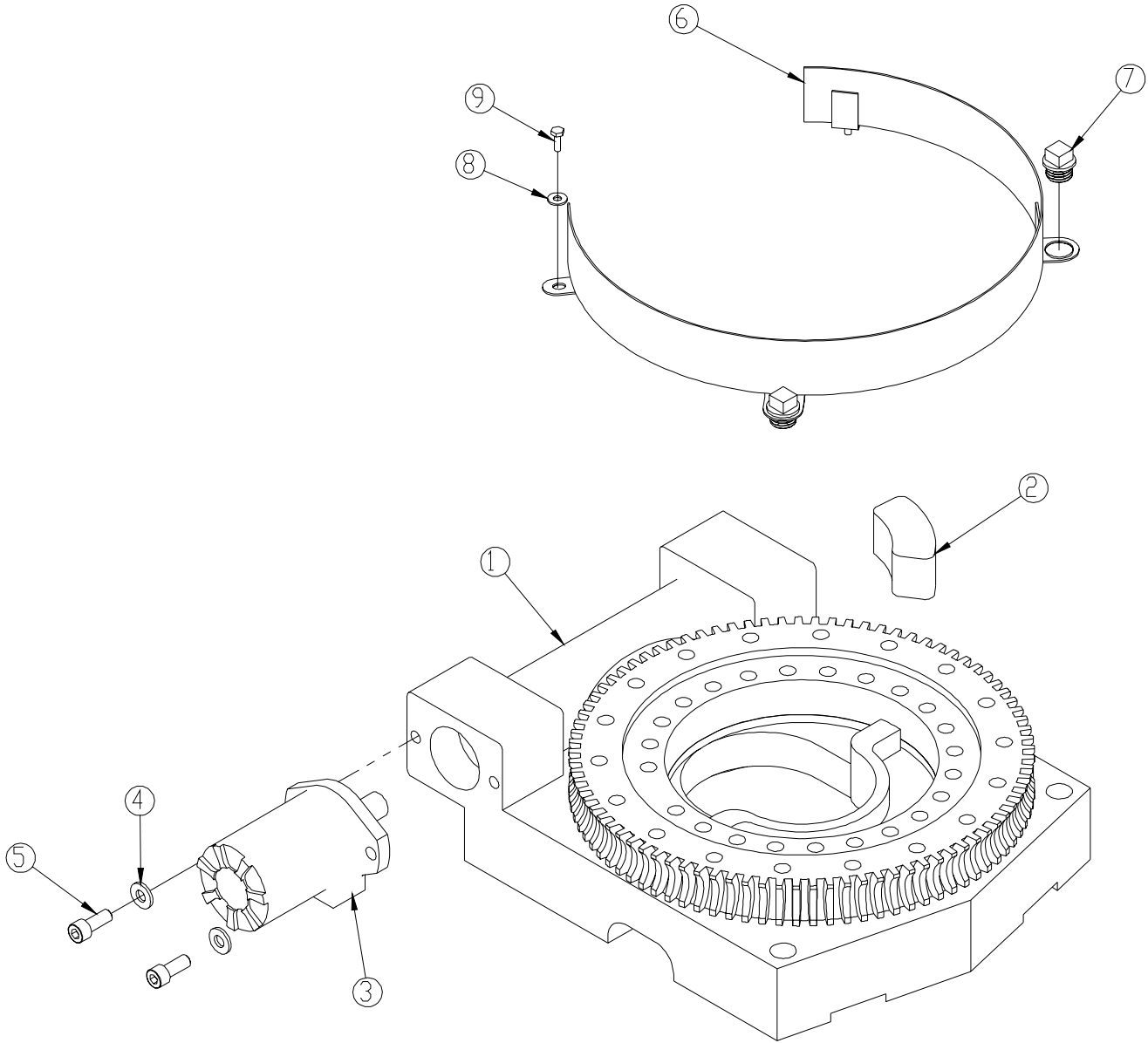
### TO OPERATE CRANE MANUALLY:

- 1.) LOOSEN JAM NUT ON FLOW CONTROL
- 2.) TURN THE SET SCREW FULLY CLOCKWISE
- 2.) OPERATE FUNCTIONS AS NEEDED TO STOW CRANE
- 3.) TURN THE SET SCREW FULLY COUNTER CLOCKWISE
- 4.) HAVE UNIT SERVICED



# BASE ASSEMBLY

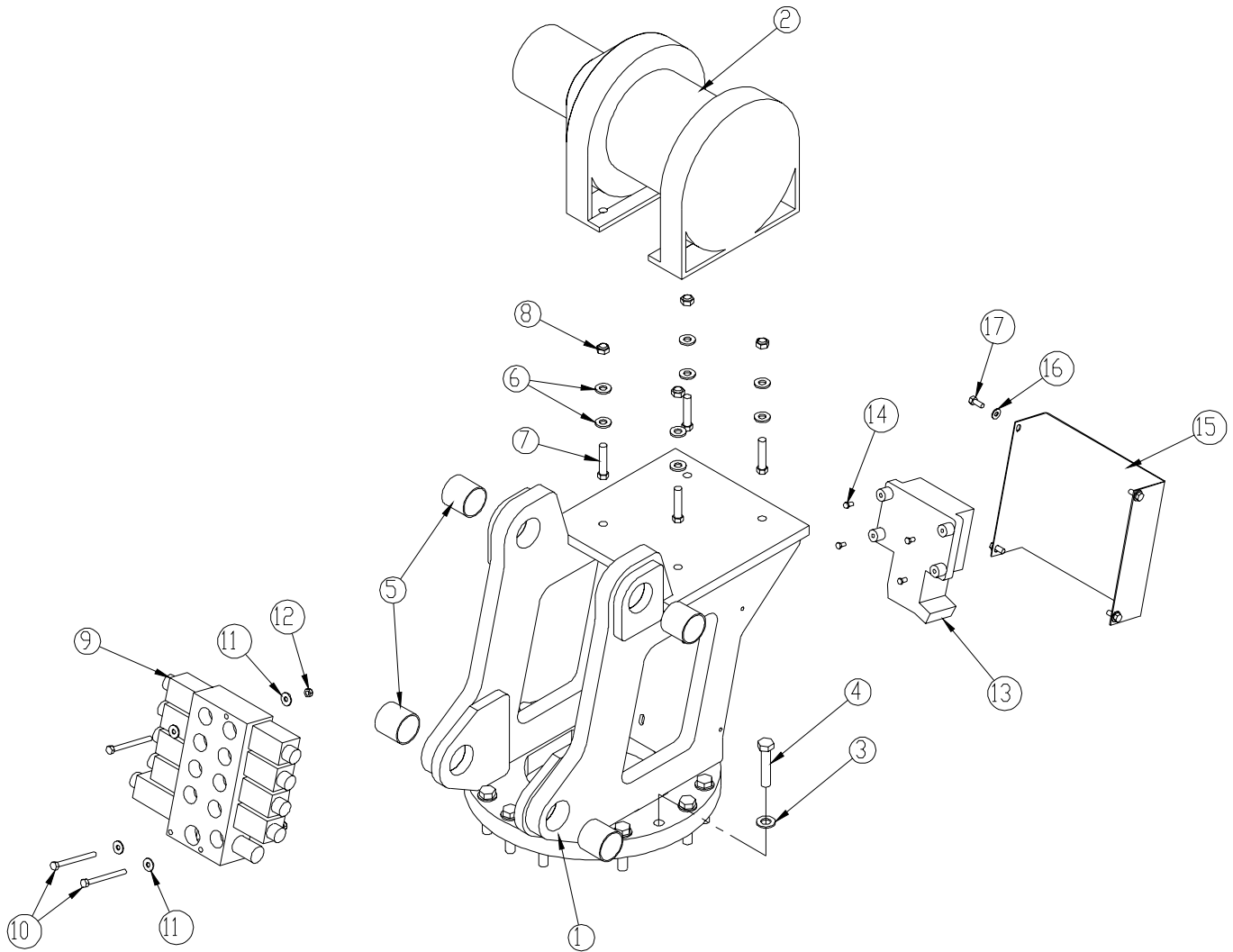
## P/N 18027



ITEM	PART	DESCRIPTION	QTY.	ITEM	PART	DESCRIPTION	QTY.
1	11453	BEARING SWING DRIVE CAST BASE 6620	1	6	12730	GUARD TTB 6620 CRANE	1
2	11542	STOP 3820 400 SLIDE	1	7	13959	CAP SCR 1.00-8 X .63 PLASTIC	2
3	C6069	MOTOR HYD ROSS MK080613AAAB	1	8	0340	WASHER 0.25 FLAT	2
4	D0790	WASHER 0.50 FLAT GR8	2	9	0479	CAP SCR 0.25-20X0.75 HHGR5	2
5	D1307	CAP SCR 0.50-13X1.25 SH	2				

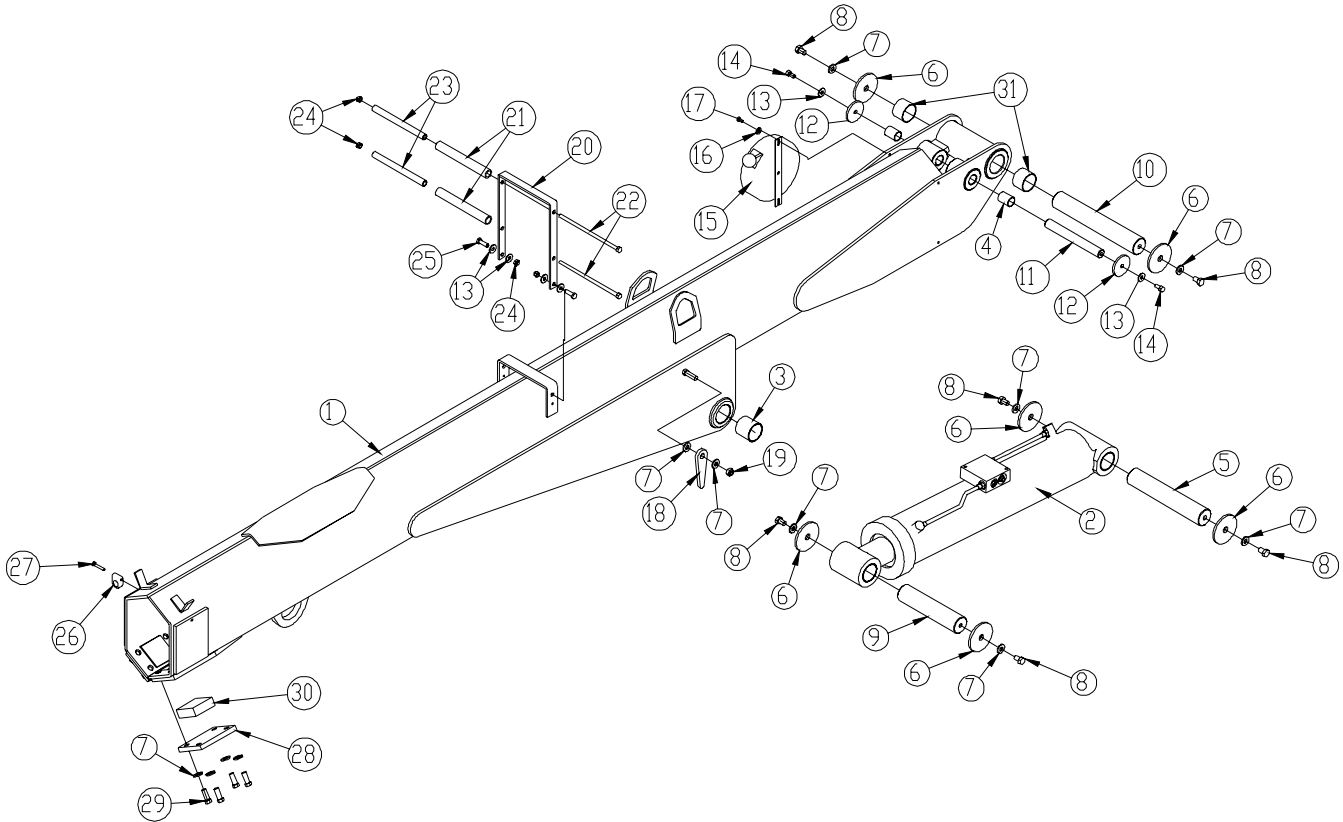


# MAST ASSEMBLY P/N 18028



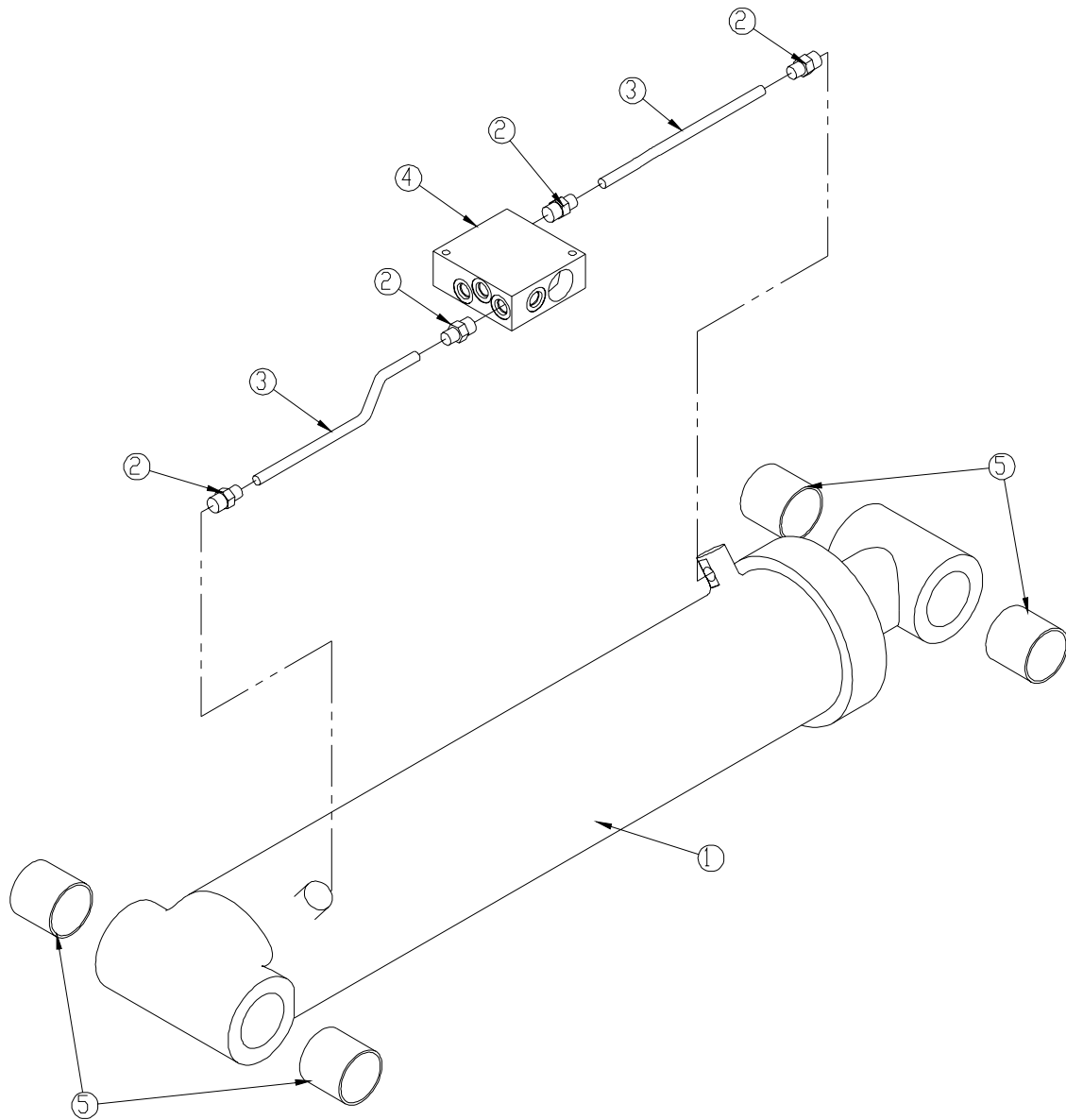
ITEM	PART	DESCRIPTION	QTY.	ITEM	PART	DESCRIPTION	QTY.
1	12967	MAST 9620 CRANE	1	10	24139	CAP SCR 0.31-18X3.75 HHGR5	3
2	12968	WINCH 5000 P5-CC-05-1	1	11	0343	WASHER 0.31 FLAT	6
3	C5902	WASHER 0.63 FLAT GR8	14	12	0342	NUT 0.31-18 HH NYLOC	3
4	D1034	CAP SCR 0.63-11 X 3.00 HHGR8 ZY	14	13	11847	RADIO RECEIVER	1
5	0066	BUSHING QSI-3235-32	4	14	10976	CAP SCR 6MMX12MM HHGR8	4
6	D0790	WASHER 0.50 FLAT GR8	8	15	13391	COVER 9620 MAST	1
7	10661	CAP SCR 0.50-13X2.25 HHGR8 ZY	4	16	0340	WASHER 0.25 FLAT	4
8	C6106	NUT 0.50-13 HHGR5 NYLOC	4	17	0420	CAP SCR 0.31-18X0.75 HHGR5	4
9	11761	VB 4 SECT ELECT W/PROP VLV COMMAND	1				

# MAIN BOOM ASSEMBLY P/N 23451



ITEM	PART	DESCRIPTION	QTY.	ITEM	PART	DESCRIPTION	QTY.
1	16882	BOOM INNER 3628	1	17	0478	CAP SCR 0.25-20X0.50 HHGR5	2
2	24144	CYLINDER ASM 9620 INNER	1	18	D1194	PLATE ANGLE INDICATOR	2
3	0066	BUSHING QSI-3235-32	2	19	C6106	NUT 0.50-13 HHGR5 NYLOC	2
4	0068	BUSHING QSI-1618-24	2	20	13435	BRKT ROPE GUIDE 9620	1
5	13363	PIN 2.00X11.19 D&T	1	21	13038	PIPE 0.75X7.75 PVC	2
6	8455	PIN CAP 0.69X3.50X0.25 SS	6	22	12168	CAP SCR 0.38-16X9.00 HHGR5	2
7	D0790	WASHER 0.50 FLAT GR8	18	23	11669	SPACER ROPE GUIDE 6620	2
8	9844	CAP SCR 0.50-13X0.75 HHGR8	6	24	0347	NUT 0.38-16 HH NYLOC	4
9	9711	PIN 2.00X8.88 D&T	1	25	0335	CAP SCR 0.38-16X1.25 HHGR5	2
10	13364	PIN 2.00X12.69 D&T	1	26	0337	HOSE CLAMP LN 4190 PP	1
11	9712	PIN 1.00X8.38 D&T	1	27	0220	CAP SCR 0.25-20 X 1.50 HHGR5	1
12	7403	PIN CAP 0.44X2.50X.252	2	28	13398	PLATE WEAR PAD SUPPORT 9620	2
13	C6353	WASHER 0.38 FLAT GR8	6	29	10666	CAP SCR 0.50-13X1.25 HHGR8	8
14	9843	CAP SCR 0.38-16X0.75 HHGR8	2	30	13395	WEAR PAD 3.00X3.00X1.00 NYLATRON	2
15	19166	CORD REEL 5728	1	31	11795	BUSHING QSI-3235-24	2
16	0340	WASHER 0.25 FLAT	2				

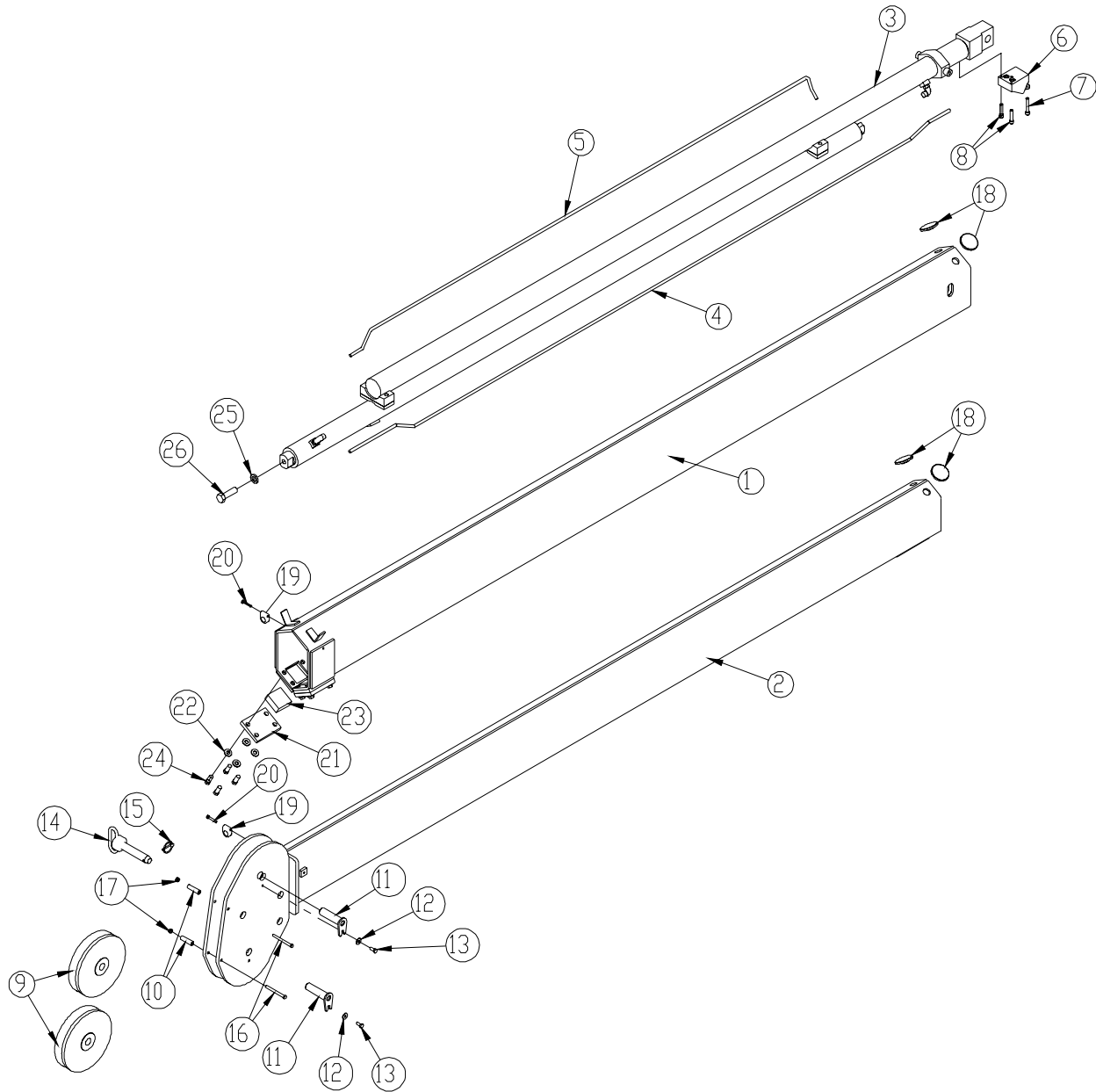
# CYLINDER ASSEMBLY P/N 24144



ITEM	PART	DESCRIPTION	QTY.
1	12970	CYLINDER INNER 9620 5.00X21.38	1
2	0279	FTG ADAPT 6-F5OLO-S	4
3	12158	TUBE ASM 0.38X8.88 MAIN CYL 6620	2
4	13080	MANIFOLD ASM 6620 INNER HOLDING	1
5	0066	BUSHING QSI-3235-32	4

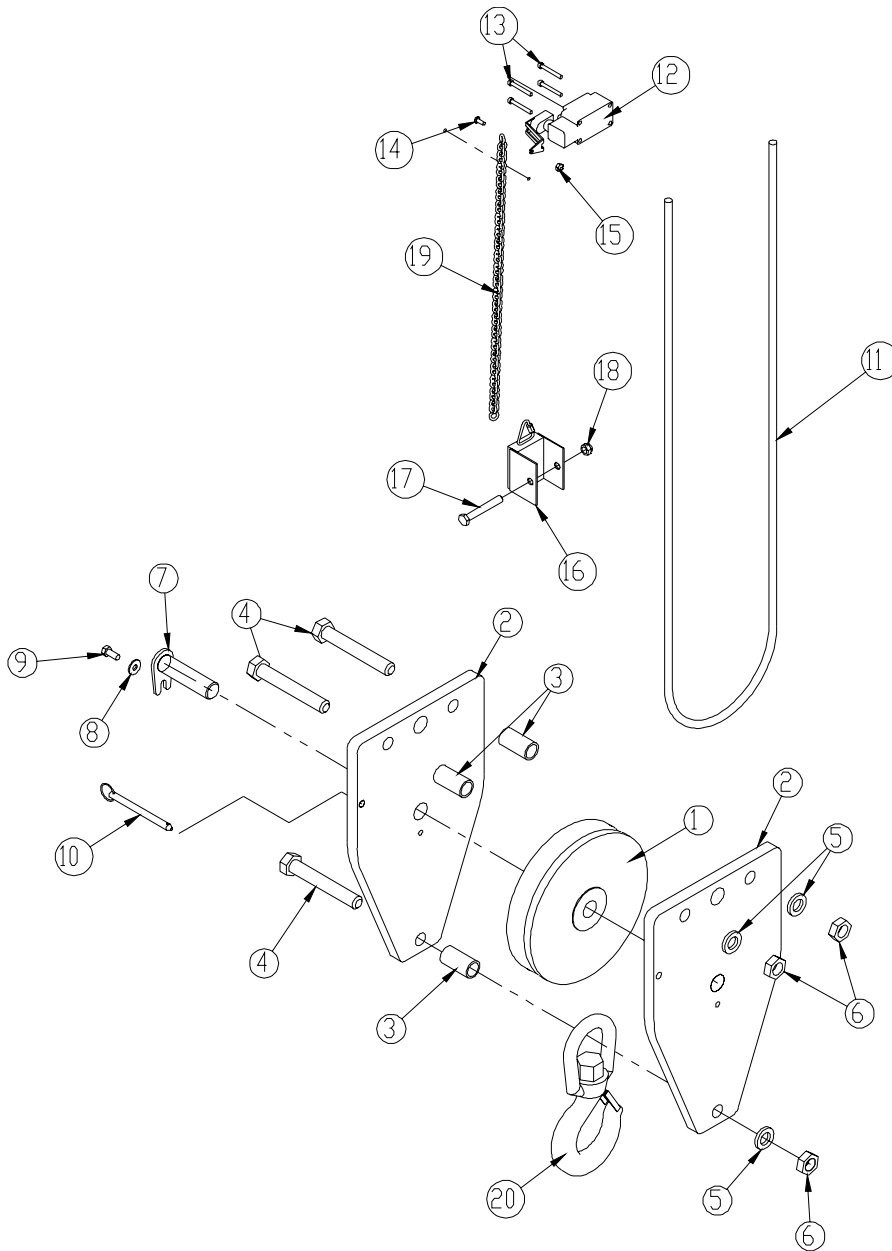
# EXTENSION BOOMS ASSEMBLY

## P/N 24210



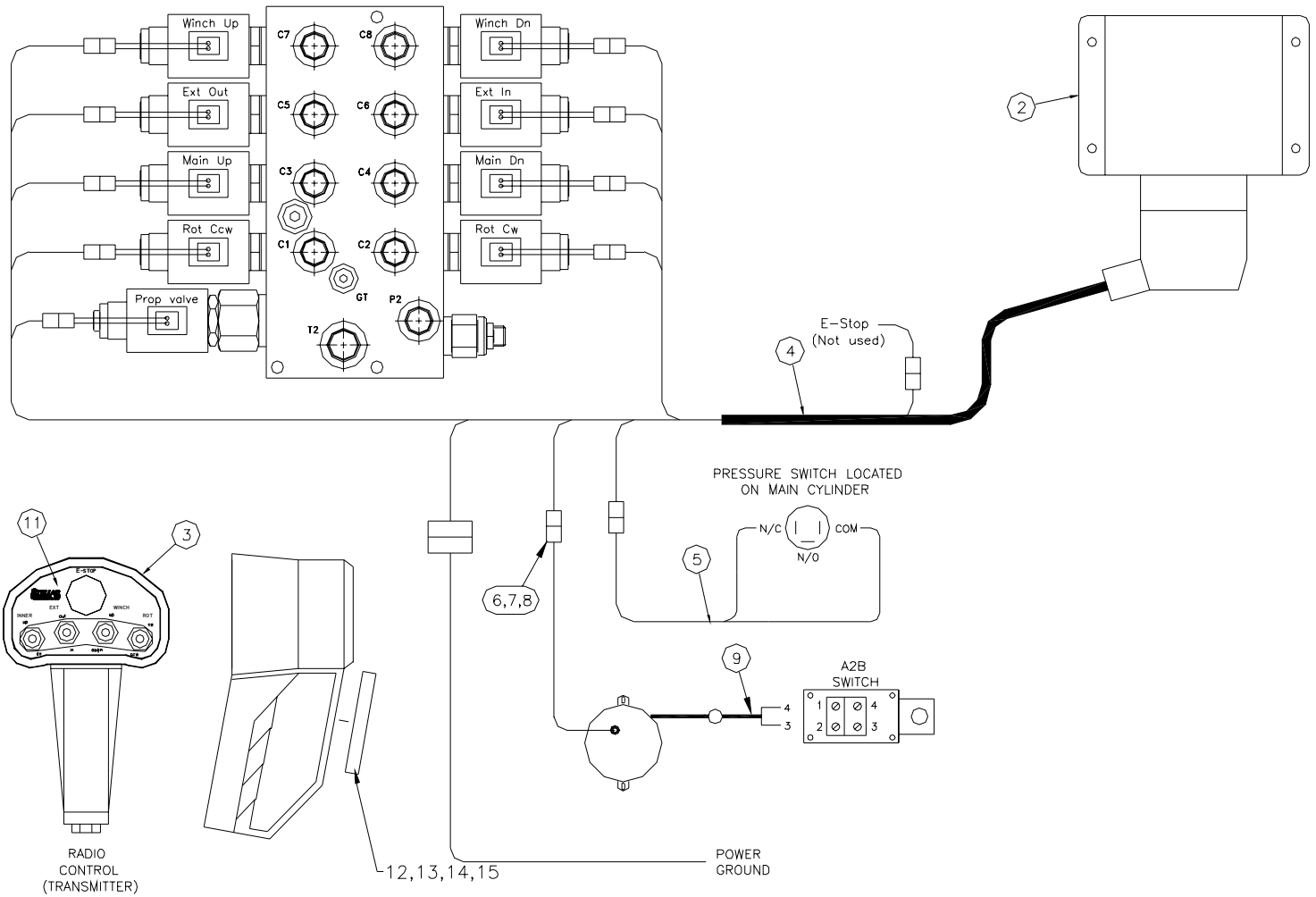
ITEM	PART	DESCRIPTION	QTY.	ITEM	PART	DESCRIPTION	QTY.
1	16887	EXT BOOM 3628 1ST	1	14	12824	PIN HITCH 1.00X4.50	1
2	23450	EXT BOOM 8728 2nd	1	15	5753	PIN 0.19X1.56 LYNCH	1
3	16920	CYLINDER EXT 3628 2 STAGE 2.5/2.5	1	16	0490	CAP SCR 0.31-18X3.50 HHGR5	2
4	17286	TUBE ASM 0.38 X LONG EXT CYL 3628	1	17	0342	NUT 0.31-18 HH NYLOC	2
5	17285	TUBE ASM 0.38 X SHORT EXT CYL 5728	1	18	9991	WEAR PAD 0.25X2.00 RND NYLATRON	4
6	14115	MANIFOLD ASM 6620 EXT CBBB-LJN-XVN	1	19	0337	HOSE CLAMP LN 4190 PP	2
7	14601	CAP SCR 0.38-16X2.25 SH ZC	1	20	0220	CAP SCR 0.25-20 X 1.50 HHGR5	2
8	11882	CAP SCR 0.38-16X1.75 SH ZC	2	21	13397	PLATE 1ST EXT 9620 WEAR PAD	2
9	15889	SHEAVE 10620 9.25 DIA .44R/1.94 THK	2	22	D0790	WASHER 0.50 FLAT GR8	8
10	11936	SPACER BOOM TIP 3820	2	23	13396	WEAR PAD 2.50X2.50X1.00 NYLATRON	2
11	13399	PIN TEAR DROP 1.00X3.81	2	24	10666	CAP SCR 0.50-13X1.25 HHGR8	8
12	0343	WASHER 0.31 FLAT	2	25	C6219	WASHER 0.75 SAE FLAT YELLOW GR8	1
13	0420	CAP SCR 0.31-18X0.75 HHGR5	2	26	4974	CAP SCR 0.75-10X2.50 HHGR8 ZY	1

# CABLE AND HOOK ASSEMBLY P/N 24209



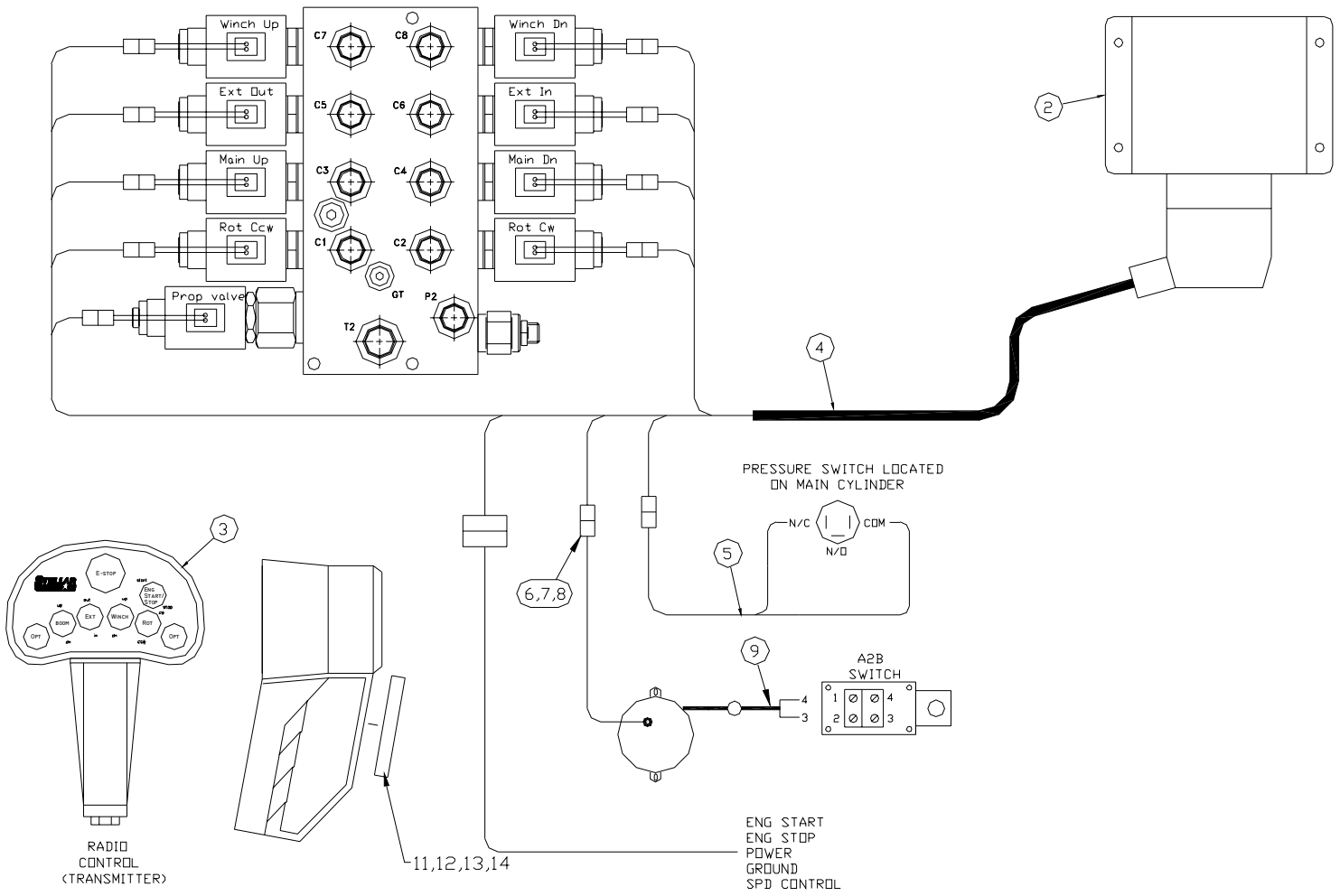
ITEM	PART	DESCRIPTION	QTY.	ITEM	PART	DESCRIPTION	QTY.
1	15889	SHEAVE 10620 9.25 DIA .44R/1.94 THK	1	11	24208	WIRE ROPE .44 6X25 IWRC-XIP 120FT	1
2	16000	PLATE 10620 SNATCH BLOCK	2	12	11938	SWITCH LIMIT A2B FURNAS 3SE3170	1
3	13394	SPACER 9620 SNATCH BLOCK	3	13	12177	CAP SCR #10-24 X 1.50 SHGR5	4
4	C1030	CAP SCR 0.75-10X5.00 HHGR8	3	14	D1711	CAP SCR #10-24X0.50 BTNHD SS	1
5	C6219	WASHER 0.75 SAE FLAT YELLOW GR8	3	15	C4956	NUT #10-24 HH NYLOC SS	1
6	0538	NUT 0.75 HHGR8 NYLOC	3	16	19994	WEIGHT 3315 ATB	1
7	13399	PIN TEAR DROP 1.00X3.81	1	17	0530	CAP SCR 0.38-16X2.75 HHGR5	1
8	0343	WASHER 0.31 FLAT	1	18	0347	NUT 0.38-16 HH NYLOC	1
9	0420	CAP SCR 0.31-18X0.75 HHGR5	1	19	18454	Chain 0.105 X 19.00	1
10	13436	PIN .38X4.00 QUICK RELEASE	1	20	3863	HOOK 5 TON	1

# CONTROL KIT – 4 Function P/N 18932



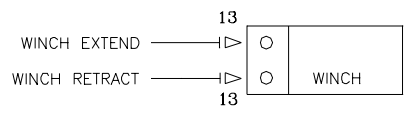
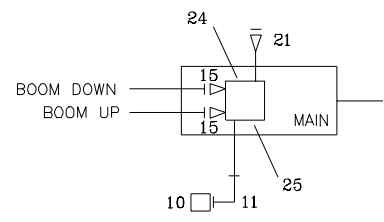
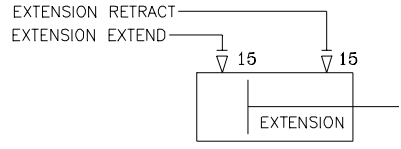
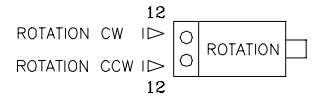
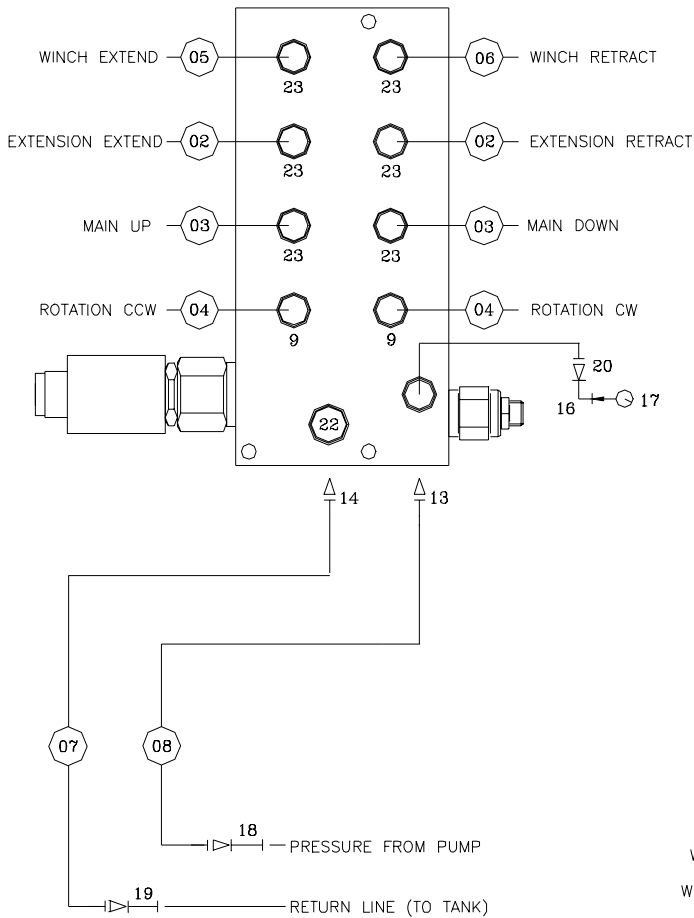
15	0333	NUT 0.25-20 HHGR5 NYLOC	1
14	C6021	CAP SCR 0.25-20X0.75 BTNHD SS	1
13	6832	DECAL MAGNET COVER-2.94DIA	1
12	6629	MAGNET 70# 2.80 DIA	1
11	18469	Decal - 4 function - Mech Cranes	1
10	16255	BATTERY CHARGER W/BTRY 110-3.6V	1
09	10965	CABLE GROMMET	1
08	10978	CONTACT M/TERM SHROUD	2
11	18469	Decal - 4 function - Mech Cranes	1
10	16255	BATTERY CHARGER W/BTRY 110-3.6V	1
09	10965	CABLE GROMMET	1
08	10978	CONTACT M/TERM SHROUD	2
07	8384	CABLE SEAL	2
06	9752	CONNECT 2 PIN SHROUD	1
05	13004	WIRE HARNESS PRESSURE SWITCH 6620	1
04	17744	WIRE HARNESS RADIO/VB	1
03	11833	TRANSMITTER - RADIO (PART OF 1)	REF
02	11847	RECEIVER - RADIO (PART OF 1)	REF
01	11832	RADIO CONTROLLER ASSEMBLY	1
ITEM	PART No.	DESCRIPTION	QTY

# CONTROL KIT – 7 Function P/N 10701



14	0333	NUT 0.25-20 HHGR5 NYLOC	1
13	C6021	CAP SCR 0.25-20X0.75 BTNHD SS	1
12	6832	DECAL MAGNET COVER-2.94DIA	1
11	6629	MAGNET 70# 2.80 DIA	1
10	16255	BATTERY CHARGER W/BTRY 110-3.6V	1
09	10965	CABLE GROMMET	1
08	10978	CONTACT M/TERM SHROUD	2
07	8384	CABLE SEAL	2
06	9752	CONNECT 2 PIN SHROUD	1
05	13004	WIRE HARNESS PRESSURE SWITCH 6620	1
04	12134	WIRE HARNESS RADIO/VB	1
03	11834	TRANSMITTER - RADIO (PART OF 1)	REP
02	11847	RECEIVER - RADIO (PART OF 1)	REP
01	11835	RADIO CONTROLLER ASSEMBLY	1
ITEM	PART No.	DESCRIPTION	QTY

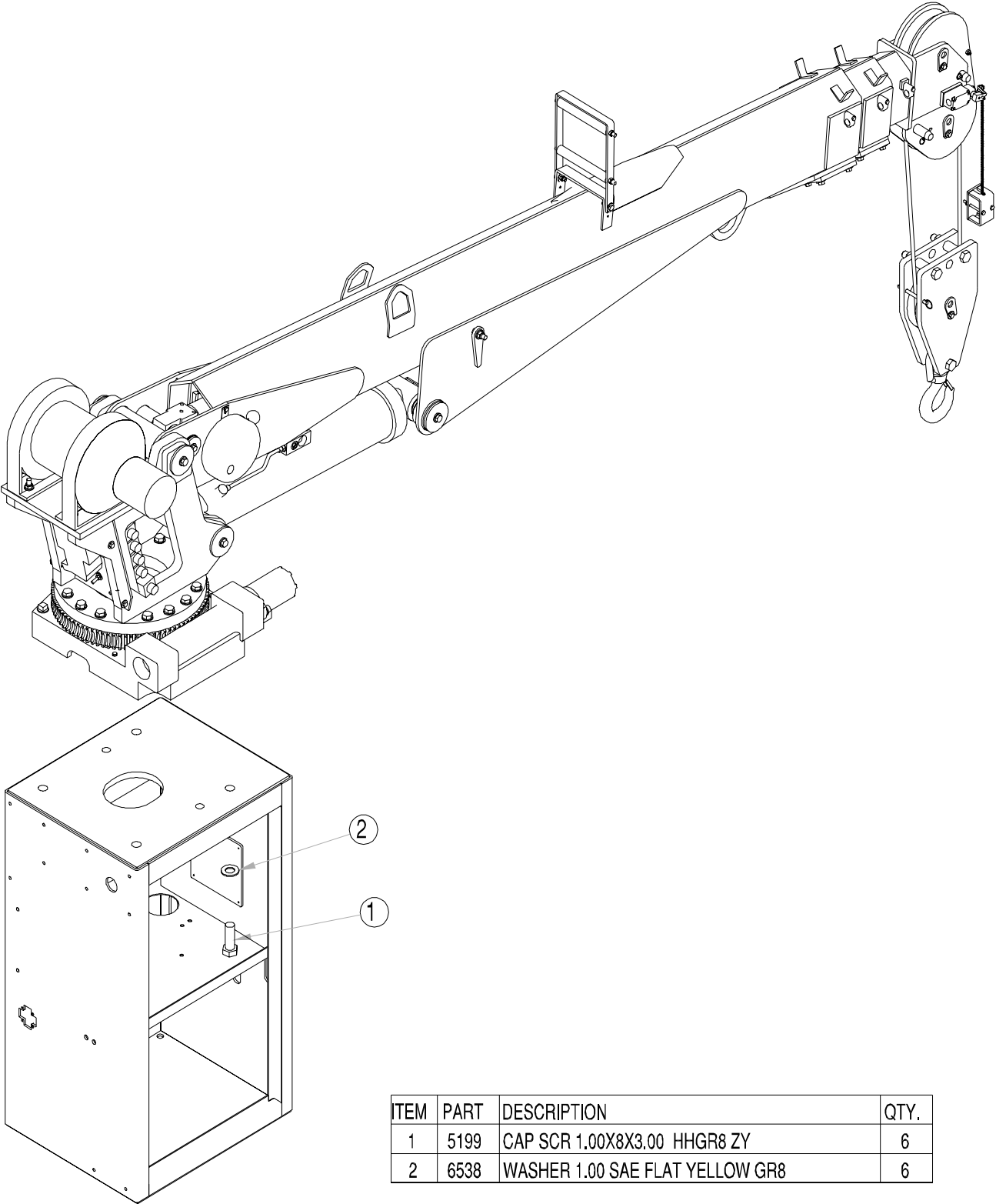
# HYDRAULIC KIT



25	11991	VALVE C-BAL PLUG	REF
24	9803	VALVE C-BAL	REF
23	C1854	FTG ADAPT 6-8 F5OLO-S	6
22	12153	PLUG HOLLOW HEX 0.63 10HP50N	1
21	C4961	FTG O-RING PLUG	1
20	12159	FTG ADAPT MSTR/FNPT 8 - 0.25	1
19	12172	FTG SWIVEL 0.50 FS/FS PS81 MJJM-8-8	1
18	12171	FTG SWIVEL 0.38 FS/FS PS81 MJJM-6-6	1
17	6397	GAUGE OIL LF 2.5" 0-5000 CBM	1
16	C5908	FTG 0.25 ML ELL	1
15	0279	FTG ADAPT 6 F5OLO-S	4
14	C2252	FTG ADAPT SL LOK 8-10-F5OLO-S	1
13	7343	FTG O-RING FS 45 DEG 6-8 V5OLO	3
12	D1302	FTG ST TH ELB 90 DEG 6-10 C5OLO	2
11	3861	FTG ML FM O-RING 90 DEG	1
10	4587	SWITCH PRES OVERLD 744.6-S03R-3200N	1
09	12160	FTG ADAPT 4-8 F5OLO	2
08	13034	HOSE-HYD .38 X 6	1ref
07	13033	HOSE-HYD .50 X 5	1ref
06	14638	HOSE-HYD .38 X 15	1ref
05	14637	HOSE-HYD .38 X 14	1ref
04	13030	HOSE-HYD .25 X 39	2ref
03	13029	HOSE-HYD .38 X 22.50	2ref
02	13028	HOSE-HYD .38 X 17	2ref
01	13027	HOSE KIT,9620 CRANE (incl:2-11)	1
ITEM	PART No.	DESCRIPTION	QTY

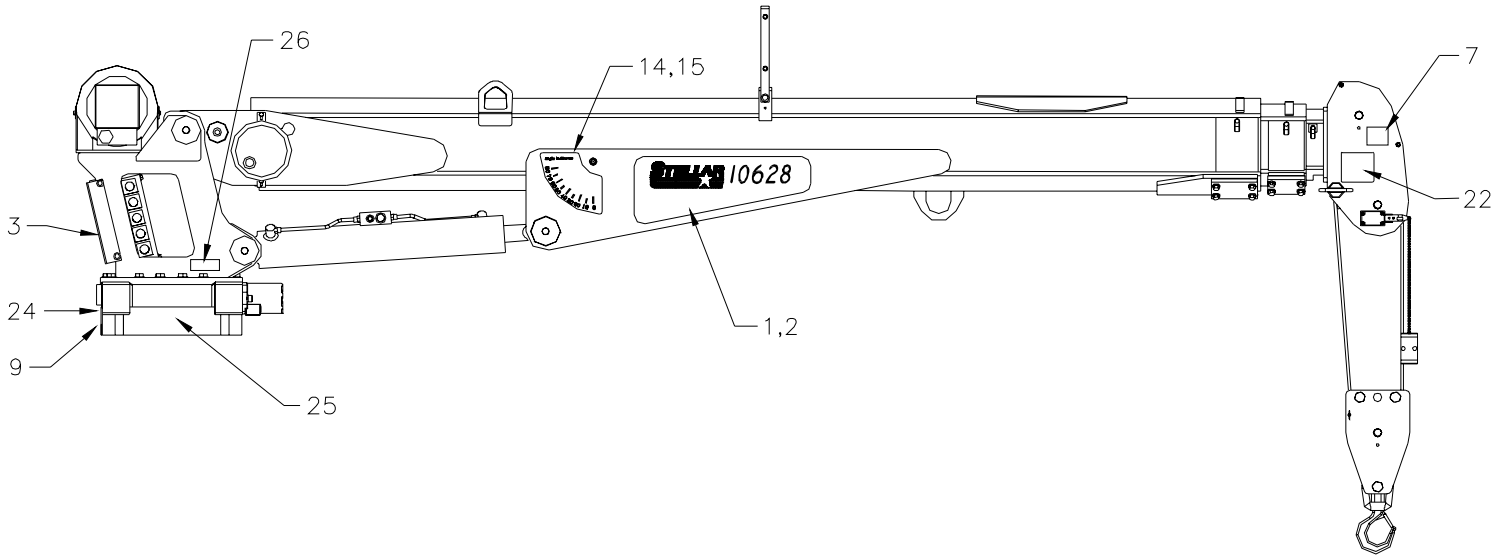


# INSTALLATION KIT



ITEM	PART	DESCRIPTION	QTY.
1	5199	CAP SCR 1.00X8X3.00 HHGR8 ZY	6
2	6538	WASHER 1.00 SAE FLAT YELLOW GR8	6

# DECAL KIT P/N 24211



26	15172	DECAL ASME/ANSI B30.22/B30.5	1
25	15171	DECAL GREASE WORM DRIVE BEARINGS	1
24	4188	DECAL-ROTATION ALIGNMENT	1
*23	C4541	DECAL-CRANE STOWING	1
22	12300	DECAL-TWO BLOCKING	1
*21	4214	DECAL-SERVICE	1
*20	C0568	DECAL-DIESEL	2
*19	12452	DECAL MANUAL EXT	1
*18	C5911	DECAL-STELLAR 2x4.5	3
*17	C5910	DECAL-STELLAR 4x9.5	1
*16	12451	DECAL HOISTING PERSONNEL	1
15	D1197	DECAL-ANGLE INDICATOR SS	1
14	D1196	DECAL ANGLE INDICATOR CS	1
*13	C1179	DECAL-ELECTROCUTION 4.5x7.5	2
*12	C5918	DECAL-DANGER MOVING O.R.	2
*11	C4795	DECAL-DANGER O.R.	2
*10	4190	DECAL-DANGER	1
09	9188	DECAL-ROTATE/GREASE	1
*08	4189	DECAL-DANGER	1
07	4186	DECAL-ELECTROCUTION 2x2.75	1
*06	C4544	DECAL-DANGER	1
*05	C4540	DECAL-DANGER	1
*04	C4545	DECAL-ELECTROCUTION 5x13	4
*03	24212	DECAL CAPACITY 10628	2
02	24213	DECAL IDENTIFICATION 10628 SS	1
01	24214	DECAL IDENTIFICATION 10628 CS	1
ITEM	PART No.	DESCRIPTION	QTY

\*USE THESE DECALS WITH BODY PACKAGE

# STABILITY PROCEDURE

Definition of **STABILITY** for the Stellar Telescopic Crane Products:

A truck is stable until the load cannot be lifted off the ground with the winch, without tipping over the truck.

Every Stellar crane installed must be tested for stability to determine the actual load capacity of the final truck package. The actual test data must be recorded and supplied with the truck at the time of in-service and should be kept with the truck at all times. The following procedure will test the truck package for stability and will provide a stability capacity chart. The load limit information shown on the stability capacity chart is formulated on 85% of tipping.

## Set Up

- Locate the truck on a test course in position for loading and engage travel brakes.
- Set outriggers so that they make contact with firm, level footings.
- Operate the crane under partial load to assure operator proficiency and proper machine function.

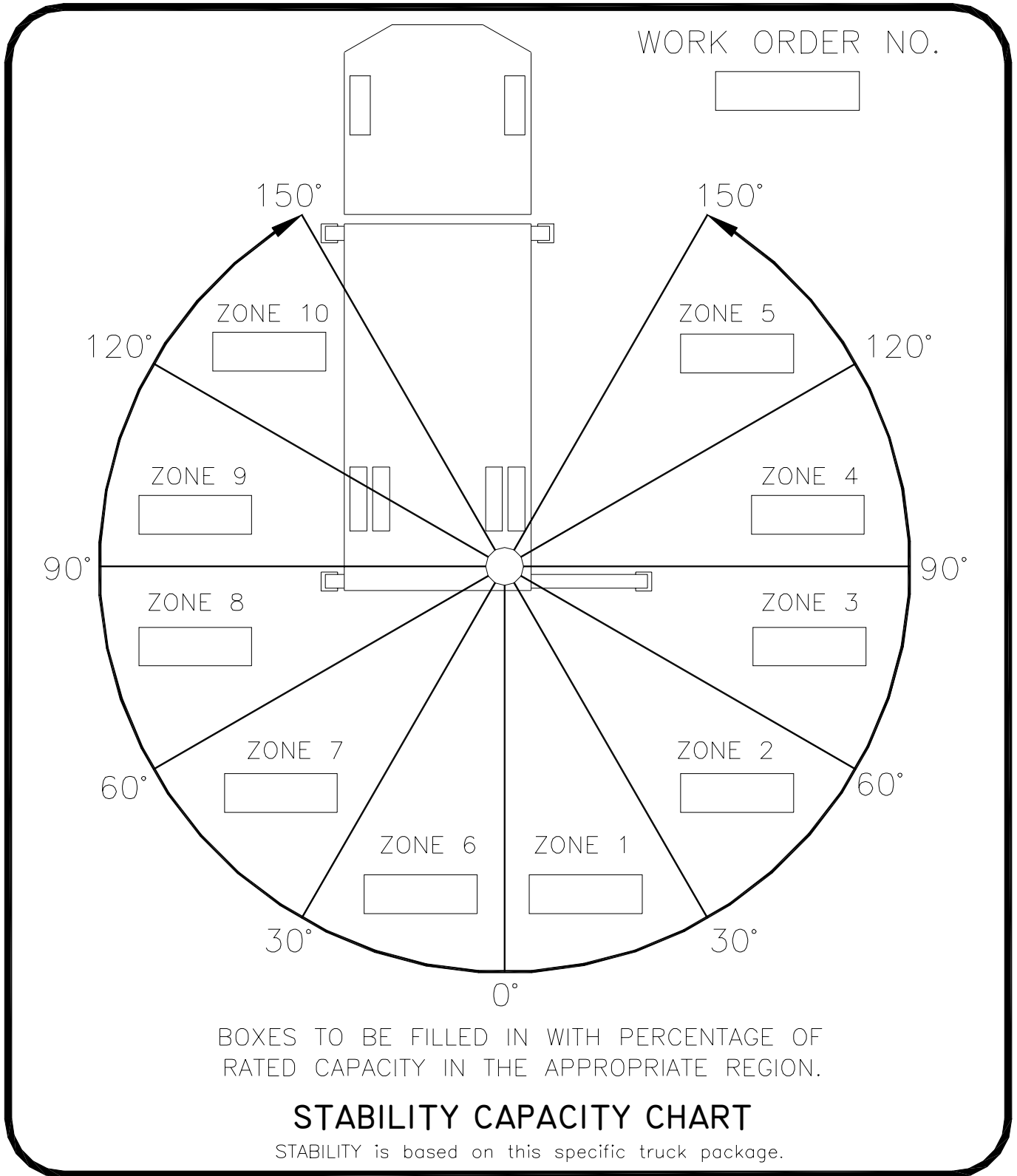
## Test Data for 10628 Crane

- Maximum Horizontal Reach – 339 inches (center of rotation to boom tip)
- Stability Test Weight – 2270#

## Test Procedure

- Rotate the crane into zone 1 position.
- With the crane fully retracted and the boom horizontal, winch the test weight off the ground. Note: keep the weight within six inches of the ground at all times.
- Extend the boom outward until full extension has been reached or until the truck becomes unstable (again, use the winch to keep the weight within six inches of the ground).
- If the boom goes full extension without becoming unstable, the crane is termed stable for this zone and 100% can be written in the zone 1 data box.
- If the truck becomes unstable prior to going full extension - retract the boom until the truck becomes stable and measure the horizontal reach in this position (center of rotation to boom tip). This is the stable horizontal reach for this zone. Use the following formula to determine the percentage of rated capacity.  
Stable horizontal reach divided by Maximum horizontal reach multiplied by 100 equals the percentage of rated capacity for this zone. Record this number in the data box for zone 1. This is the revised capacity due to stability for this zone.
- Repeat this procedure for each zone until the worksheet is completed.
- This is the revised CAPACITY based on STABILITY of this package.

# STABILITY CHART



## **Limited Warranty Statement**

### **for Stellar Tire Service Trucks, Truck-mounted Cranes, Truck-mounted Stellarc Welders & Truck-mounted Compressed Air Systems ONLY**

Stellar Industries, Inc. (Stellar) warrants products designed and manufactured by Stellar to be free from defects in material and workmanship under proper use and maintenance. Products must be installed and operated in accordance with Stellar's written instructions and stated lifting capacities. The warranty period shall be Twelve (12) month warranty on all Stellar designed and fabricated parts, and Ninety (90) days repair labor.

The warranty period shall begin from the date recorded by Stellar as the in-service date. This date will be derived from the completed warranty registration card. In the event a warranty registration card is not received by Stellar, the factory ship date will be used. Stellar's obligation under this warranty is limited to, and the sole remedy for any such defect shall be, the repair and/or replacement (at Stellar's option) of the part and/or component in question. Stellar after-sales service personnel must be notified by telephone, fax, e-mail, or mail of any warranty-applicable damage within fourteen (14) days of its occurrence. If at all possible, Stellar will ship the replacement part within 24-hours of notification by the most economical, yet expedient, means possible. Expedited freight delivery will be at the expense of the owner.

Warranty claims must be submitted and shall be processed in accordance with Stellar's established warranty claim procedure. Stellar Service personnel must be contacted prior to any warranty claim. A return materials authorization (RMA) account number must be issued to the claiming party prior to the return of any warranty parts. Parts returned without prior authorization will not be recognized for warranty consideration. All damaged parts must be returned to Stellar freight prepaid; freight collect returns will be refused.

Warranty service will be performed by any Stellar new equipment distributor, or by any Stellar-recognized service center authorized to service the type of product involved, or at the Stellar factory. At the time of requesting warranty service, the owner must present evidence of date of delivery of the product. The owner shall be obligated to pay for any overtime labor requested of the servicing company by the owner, any field service call charges, and any towing and/or transportation charges associated with moving the equipment to the designated repair/service provider.

All obligations of Stellar and its authorized dealers and service providers shall be voided if someone other than an authorized Stellar dealer provides other than routine maintenance service without prior written approval from Stellar. In the case repair work is performed on the Stellar-manufactured product, original Stellar parts must be used to keep the warranty in force. The warranty may also be voided if the product is modified or altered in any way not approved, in writing, by Stellar engineering.

The owner/operator is responsible for furnishing proof of the date of original purchase of the Stellar product in question.

Warranty registration is the ultimate responsibility of the owner and may be accomplished by the completion and return of the Stellar product registration card provided with the product. If the owner is unsure of registration, he is encouraged to contact Stellar at the address below to confirm registration of the product in question. This warranty covers only defective material and workmanship. It does not cover depreciation or damage caused by normal wear and tear, accident, mishap, untrained operators, or improper or unintended use. The owner has the obligation of performing routine care and maintenance duties as stated in Stellar's written instructions, recommendations, and specifications. Any damage resulting from owner/operator failure to perform such duties shall void the coverage of this warranty. The cost of labor and supplies associated with routine maintenance will be paid by the owner.

The only remedies the owner has in connection with the breach or performance of any warranty on the Stellar product specified are those set above. In no event will Stellar, the Stellar distributor/dealer, or any company affiliated with Stellar be liable for business interruptions, costs of delay, or for any special, indirect, incidental, or consequential costs or damages. Such costs may include, but are not limited to, loss of time, loss of revenue, loss of use, wages, salaries, commissions, lodging, meals, towing, hydraulic fluid, or any other incidental cost.

All products purchased by Stellar from outside vendors shall be covered by the warranty offered by that respective manufacturer only. Stellar does not participate in, or obligate itself to, any such warranty.

Hydraulic cylinders used in Stellar products are subject to the same warranty provisions stated above. Should a cylinder defect develop within the above stated warranty period, notify Stellar immediately. Stellar will ship, freight prepaid, by the most effective, expedient, means a new or re-manufactured cylinder of the same size and type. An authorization for return of the original part will be issued at the time the order is placed. The defective cylinder is to be returned to Stellar freight prepaid by the owner. Cylinders returned freight collect will be refused. Should the defective cylinder not be returned within 30 days of shipping the replacement cylinder, the owner is responsible to pay Stellar the full purchase price of the replacement part.

Stellar reserves the right to make changes in design or improvement upon its products without imposing upon itself the same upon its products theretofore manufactured.

This warranty will apply to all Stellar Tire Service Trucks, Truck-mounted Cranes, Truck-mounted Stellarc Welders & Truck-mounted Compressed Air Systems shipped from Stellar's factory after January 1, 1997. The warranty is for the use of the original owner only and is not transferable without prior written permission from Stellar.

THIS WARRANTY IS EXPRESSLY IN LIEU OF ANY OTHER WARRANTIES, EXPRESS OR IMPLIED, INCLUDING ANY WARRANTY OF MERCHANTABILITY OR FITNESS FOR A PARTICULAR PURPOSE. REMEDIES UNDER THIS WARRANTY ARE LIMITED TO THE PROVISION OF MATERIAL AND SERVICES, AS SPECIFIED HEREIN. STELLAR INDUSTRIES, INC. IS NOT RESPONSIBLE FOR INCIDENTAL OR CONSEQUENTIAL DAMAGES.

**Stellar Industries, Inc. • 280 West Third Street • Garner, Iowa 50438 • U.S.A.**

**E-Mail • [sales@stellar-industries.com](mailto:sales@stellar-industries.com)**

**Telephone: 800/321-3741; 641/923-3741 • Fax: 641/923-2812; 641/923-2811**

Revised 10/05/2000